

Vertical Profiles of CO₂ in an Urban Street Canyon

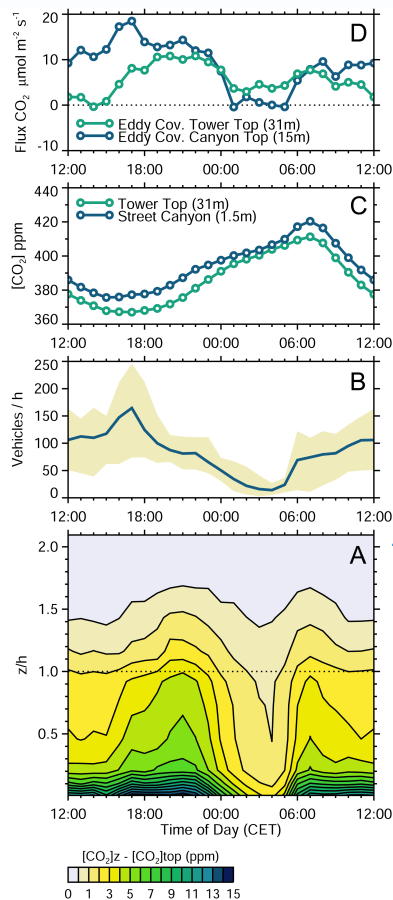
Andreas Christen⁽¹⁾, Christian Feigenwinter⁽¹⁾, Matthias Roth⁽²⁾, Roland Vogt⁽¹⁾
⁽¹⁾ Institute of Meteorology, Climatology and Remote Sensing, University of Basel
⁽²⁾ Department of Geography, National University of Singapore



Measurements of CO₂-fluxes over urban surfaces are rare, even though cities are an

important source of CO₂. However, the morphologically complex surfaces and the non-homogeneous distribution of CO₂-sources form methodological difficulties (Grimmond et al., 2002).

It is the aim of BUBBLE (Basel Urban Boundary Layer Experiment, a COST 715 action) to increase the knowledge of mass, momentum and energy exchange over urban surfaces (Rotach, 2001). Results from profile measurements of mean CO₂-concentrations should help explaining the exchange processes rather than quantifying urban emissions. The presented results focus on diurnal mean courses combined with traffic data and selected turbulence parameters.

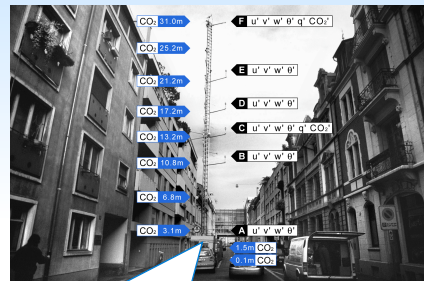


A: Average diurnal course of the vertical CO₂ gradient: CO₂ concentration difference from all 10 levels to the measurement at tower top. Data from March 1 to July 15 2002 are shown. **B:** Average diurnal course of the traffic load in the canyon. The grey area indicates maximum and minimum values. **C:** Average diurnal course of CO₂ concentrations inside the street canyon (1.5m) and above the urban surface at 31.7m from the LICOR 6262 system. **D:** CO₂-fluxes from the two LICOR 7500 open path analyzers that were operated in June / July 2003 during 4 weeks.

Site

The instrumented canyon ("Basel-Sperrstrasse") is located in a densely built-up part of the city of Basel. The surface has a high plane area density λ_p of 0.57 and an average building height h of 14.6 m.

A triangular lattice tower was installed 3 m off the northern building wall and operated over nearly one year. It supported 6 ultrasonic anemometer-thermometers, full radiation components at tower top and inside the canyon, a temperature / humidity profile of 5 levels, 12 levels of cup anemometers and 10 levels with inlets for the CO₂/H₂O-analyzer. The traffic load in this particular canyon was counted to be 2000 vehicles per day.



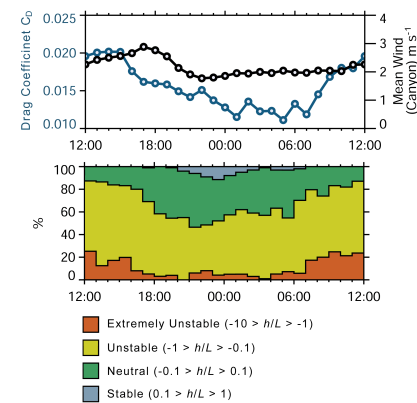
The setup allows unique possibilities to study CO₂-exchange inside an urban street canyon and in the urban roughness sublayer. Both, eddy covariance CO₂-fluxes and mean CO₂-concentration profiles are available.

Observations of CO₂-gradients derived from profiles fit with eddy covariance flux measurements (open path).

Maximums of CO₂-concentrations are observed during morning hours with relatively high traffic and low mixing.

Good correlation between traffic load as well as mechanical mixing (which depends mainly on wind speed) and CO₂-gradients (fluxes of CO₂): higher emissions (higher traffic) and lower mechanical mixing both increase the absolute value of gradients (spring and summer data, no firing).

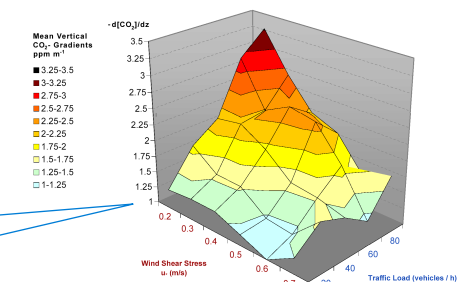
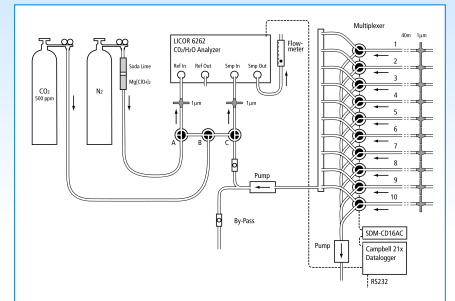
Concentrations are always decreasing with height. This results in positive fluxes of CO₂ away from the urban surface all the time. This is in agreement with other urban CO₂-studies (Nemitz et al., 2002) and in contrast to suburban surfaces, where a daytime CO₂-uptake was measured (Offerle et al., 2001). Smallest gradients are observed during early morning hours with low traffic.



B: Average diurnal course of the drag coefficient $C_0 = (u-w)^2$ and wind speed inside the canyon (top) and stability at tower top (bottom) Data is shown for the period March 1 to July 15 2002. Note that stable situations are rarely observed over an urban surface.

Instrumentation

A CO₂/H₂O gas-multiplexer system sampled sequentially air from 10 tower levels. Air is sucked from each inlet at the tower through a 40 m tube down into a van, where a gas multiplexer and a LICOR 6262 gas-analyzer were operated. Each channel is sampled 30 s, the first 10 s after switching are discarded. Mean values over the remaining 20 s are stored. This results in mean profiles (10 levels) with a resolution of 5 minutes. The gas-analyzer was operated from December 2002 until July 2003 in differential mode, i.e. measuring continuously a zero gas in the reference cell. During the IOP in Summer 2002 additional instrumentation was deployed including two LICOR 7500 open path analyzers at $z/h=1.0$ (14m) and $z/h=2.2$ (31m).



C: Surface plot illustrating the mean value of the vertical CO₂-gradient in ppm m⁻¹ for given u - and traffic load on 1h blocks for March 1 to July 15 2002.

References

Grimmond, C. S. B.; King, T. S.; Cropley, F. D.; Nowak, D. J.; Souch, C. (2002): Local-scale fluxes of carbon dioxide in urban environments: methodological challenges and results from Chicago. *Environ. Poll.* 116, S243-S254.
 Nemitz, E.; Hargreaves, K. J.; McDonald, A. G.; Dorsey, J. R.; Fowler, D. (2002): Micrometeorological measurements of the urban heat budget and CO₂ emissions on a city scale. *Environ. Sci. Technol.* 36, 3139-3146.
 Offerle, B., S. Grimmond, T. Oke, K. Fortuniak, J. Hom, J. Salmond, D. Golub, C. Walsh (2001): Energy and CO₂ fluxes from contrasting urban environments (Marseille, France; Lodz, Poland; Baltimore, USA and Vancouver, B.C.). *American Geophysical Union, San Francisco, December 2001.*

Rotach, M. W. (2002): Overview on the Basel Urban Boundary Layer Experiment - BUBBLE. *AMS 4th Symposium on the Urban Environment*, Norfolk VA. Paper 3.6.25-26

Additional Information

<http://www.unibas.ch/geo/mcr/Projects/BUBBLE/> (URL case sensitive)

Contact

Andreas Christen
 Institute of Meteorology, Climatology and Remote Sensing
 University of Basel
 Klingelbergstrasse 27, 4055 Basel, Switzerland
andreas.christen@unibas.ch

The Swiss Federal Office for Education and Science provides partial funding of this study (# 600.0068).